



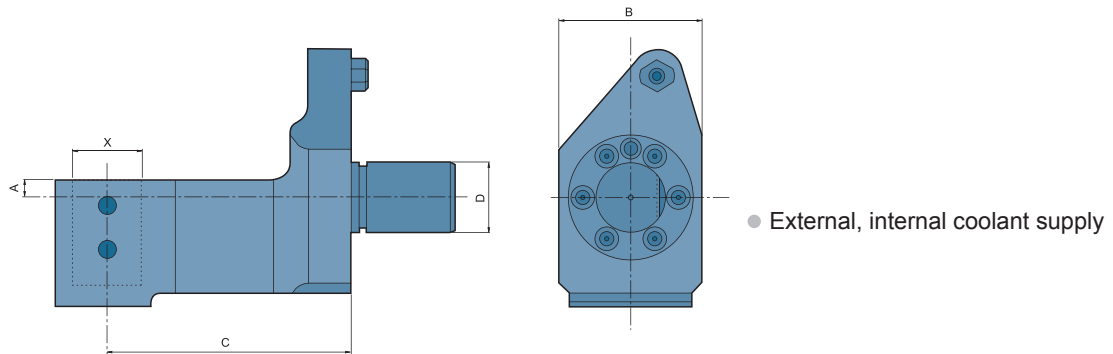
U Drill Holder

MAZAK MULTIPLEX TYPE



VERTEX®

NEW



DIMENSIONS

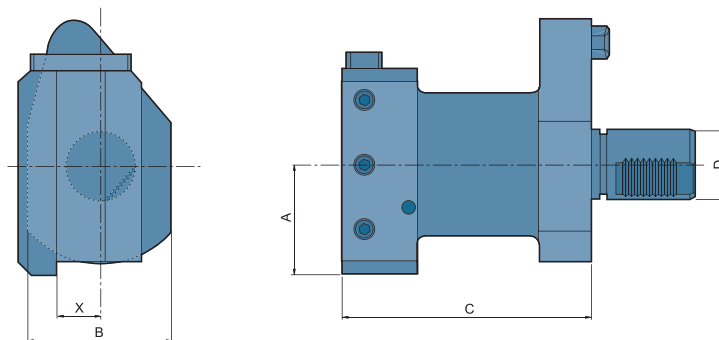
ORDER NO.	Machine Type	D		X	A	B	C	CODE NO.
MP-610-UD-M	MP-610	40	mm	25	10	76	120	5006-560
MP-610-UD-I			inch	-	0.394"	2.992"	4.724"	5006-561
MP-620-UD-M	MP-620	40	mm	40	10	82	140	5006-562
MP-620-UD-I			inch	-	0.394"	3.228"	5.512"	5006-563



Facing Holder - RH

MAZAK SUPER QUICK TURN & MULTIPLEX TYPE

NEW



VDI

DIMENSIONS

ORDER NO.	Machine Type	D		X	A	B	C	CODE NO.
SQT 10M/15AM-FRH-M	SQT-10M/15AM	40	mm	20	65	76	110	5006-570
SQT 10M/15AM-FRH-I			inch	0.75"	2.559"	2.992"	4.331"	5006-571
SQT 15M/18M-FRH-M	SQT-15M/18M	40	mm	25	60	82	143	5006-572
SQT 15M/18M-FRH-I			inch	1"	2.362"	3.228"	5.630"	5006-573
SQT 28M/30M-FRH-M	SQT-28M/30M	50	mm	25	57	90	163	5006-574
SQT 28M/30M-FRH-I			inch	1"	2.244"	3.543"	6.417"	5006-575
MP 610N/615N-FRH-M	MP-610N/615N	40	mm	20	65	76	110	5006-576
MP 410N/415N-FRH-I	MP-410N/415N		inch	0.75"	2.559"	2.992"	4.331"	5006-577
MP 620N/625N-FRH-M	MP-620N/625N	40	mm	25	55	82	143	5006-578
MP 420N-FRH-I	MP-420N		inch	1"	2.165"	3.228"	5.630"	5006-579

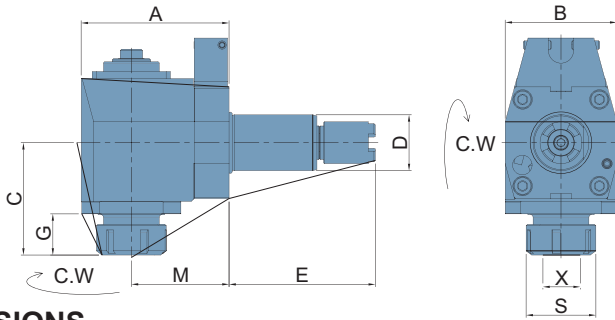


Radial Drilling And Milling Heads



VERTEX®

TYPE HAAS



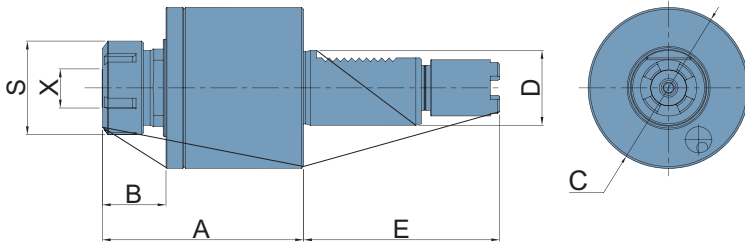
- 1.External coolant supply
- 2.To be used for collet DIN 6499
- 3.Collet is not included

DIMENSIONS

ORDER NO.	D	X capacity	S	Maximum R.P.M.	A	B	C	G	M	E	MODELS	CODE NO.
VDI-40-FL40-32-104	40	2-20 ER32	50	4000	106	80	76.5	27.5	70	104.85	SL-20/TL-15	5006-600
117.55										SL-30/TL-25 SL-40	5006-601	
130.25										SL-40	5006-602	



Axial Milling And Drilling Heads



- 1.External coolant supply
- 2.To be used for collet DIN 6499
- 3.Collet is not included

DIMENSIONS

ORDER NO.	D	X capacity	S	Maximum R.P.M.	A	B	C	E	MODELS	CODE NO.
VDI-40-DA40-32104	40	2-20 ER32	50	6000	108	34	86	104.85	SL-20/TL-15	5006-610
117.55								SL-30/TL-25	5006-611	
130.25								SL-40	5006-612	



Reducing Sleeves

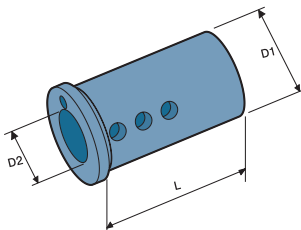
RS-W, RS TYPE

DIMENSIONS

D1	L	ORDER NO. D2	CODE NO.
20	45	E20-6	5006-369
		E20-8	5006-370
		E20-10	5006-371
25	55	E25-6	5006-372
		E25-8	5006-373
		E25-10	5006-374
		E25-12	5006-375
32	60	E32-6	5006-376
		E32-8	5006-377
		E32-10	5006-378
		E32-12	5006-379
40	75	E40-6	5006-381
		E40-8	5006-382
		E40-10	5006-383
		E40-12	5006-384
50	85	E50-8	5006-388
		E50-10	5006-389
		E50-12	5006-390
		E50-16	5006-391
		E50-20	5006-392
		E50-25	5006-393

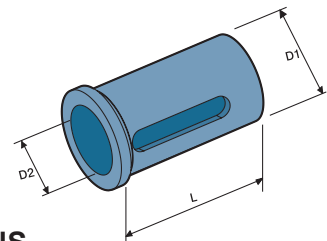
RS-W

- External Coolant Supply
- For Boring Bar Holder



RS

- For Boring Bar Holder



DIMENSIONS

D1	L	ORDER NO. D2	CODE NO.
20	50	E20-12-K	5006-399
		E20-16-K	5006-400
25	50	E25-16-K	5006-401A
		E25-20-K	5006-401
32	60	E32-16-K	5006-402A
		E32-20-K	5006-402B
		E32-25-K	5006-402
40	75	E40-16-K	5006-403A
		E40-20-K	5006-403B
		E40-25-K	5006-403C
		E40-32-K	5006-403
50	85	E50-32-K	5006-404A
		E50-40-K	5006-404