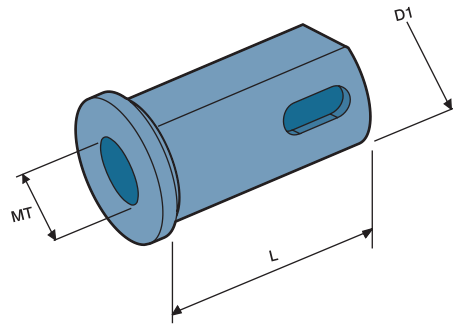




Reducing Sleeves

RS-W, RS TYPE

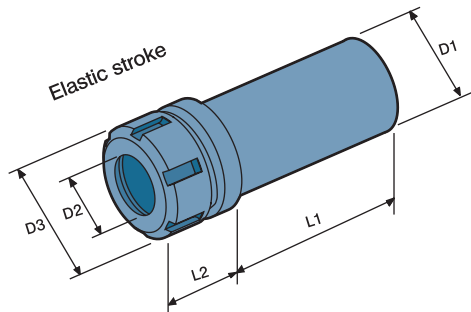


RS-MT

- Tool holders with morse taper according to DIN 228

DIMENSIONS

D1	L	MT				ORDER NO.
		1	2	3	4	
32	60	E32-MT1	E32-MT2	E32-MT3		ORDER NO.
		5006-410	5006-411	5006-412		CODE NO.
40	70	E40-MT1	E40-MT2	E40-MT3	E40-MT4	ORDER NO.
		5006-414	5006-415	5006-416	5006-417	CODE NO.
50	85	E50-MT1	E50-MT2	E50-MT3	E50-MT4	ORDER NO.
		5006-418	5006-419	5006-420	5006-421	CODE NO.



TE

- Auto taper with cylindric shaft
- To be used for collet DIN 6499

DIMENSIONS

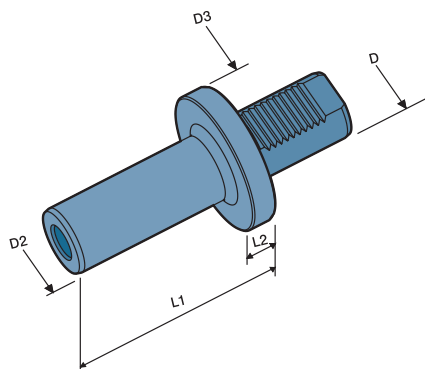
ORDER NO.	D1	D2		D3	L1	L2	CODE NO.
TE25-ER16	25	1-10	M3-M12	ER16 32	70.5	30	5006-430
TE32-ER20	32	2-13	M3-M16	ER20 35	65	40	5006-431
TE40-ER25	40	2-16	M4-M20	ER25 42	75	43	5006-432
TE50-ER32	50	3-20	M6-M24	ER32 50	85	48	5006-433



Test Mandrel

TB1 TYPE

DIN 69880



DIMENSIONS

ORDER NO.	D DIN 69880	D2	D3	L1	L2	CODE NO.
TB1-30	30	30	68	115	15	5006-434
TB1-40	40	40	83	115	15	5006-435
TB1-50	50	50	98	115	15	5006-436