



Combined Static Holders

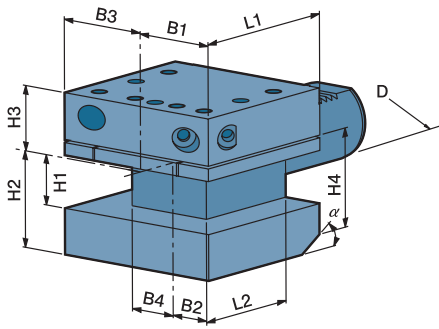


D1 D2 TYPE

DIN 69880

D1

- Right-hand
- External Coolant Supply

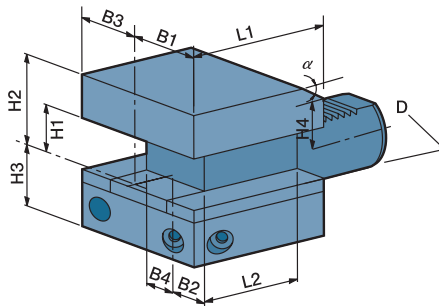


DIMENSIONS

ORDER NO.	D	B1	B2	B3	B4	H1	H2	H3	H4	L1	L2	α	CODE NO.
D1-30x20	30	35	17	41	23	20	38	35	30	60	42	25°	5006-260
D1-40x25	40	42.5	21	47.5	25.5	25	48	42.5	40	72	50	25°	5006-261
D1-50x32	50	50	26	55	30.5	32	60	50	-	85	60	-	5006-262
D1-60x32	60	57.5	33	57.5	33	32	62.5	62.5	-	110	85	-	5006-263

D2

- Left-hand
- External Coolant Supply



DIMENSIONS

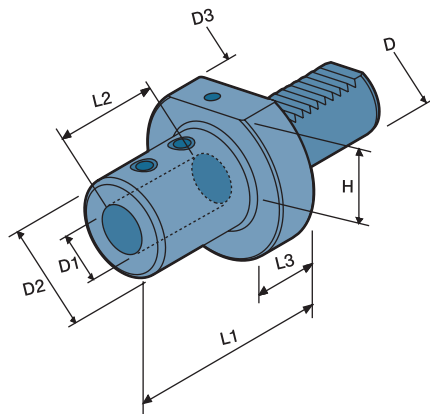
ORDER NO.	D	B1	B2	B3	B4	H1	H2	H3	H4	L1	L2	α	CODE NO.
D2-30x20	30	35	17	41	23	20	38	35	30	60	42	25°	5006-264
D2-40x25	40	42.5	21	47.5	25.5	25	48	42.5	40	72	50	25°	5006-265
D2-50x32	50	50	26	55	30.5	32	60	50	-	85	60	-	5006-266
D2-60x32	60	57.5	33	57.5	33	32	62.5	62.5	-	110	85	-	5006-267



Static Holders

E1 TYPE

DIN 69880



E1

- Internal Coolant Supply
- U Drills

DIMENSIONS

ORDER NO.	D	D1	D2	D3	H	L1	L2	L3	CODE NO.
E1-20x20	20	20	40	50	-	67	57	18	5006-268
E1-20x25	20	25	45	50	-	71	59	18	5006-269
E1-30x20	30	20	40	68	28	67	54	22	5006-270
E1-30x25	30	25	45	68	28	71	59	22	5006-271
E1-30x32	30	32	52	68	28	75	63	22	5006-272
E1-40x20	40	20	40	83	32.5	67	54	22	5006-273
E1-40x25	40	25	45	83	32.5	75	59	22	5006-274
E1-40x32	40	32	52	83	32.5	75	63	22	5006-275
E1-40x40	40	40	60	83	32.5	90	73	22	5006-276
E1-50x20	50	20	40	98	35	67	54	30	5006-277
E1-50x25	50	25	45	98	35	80	59	30	5006-278
E1-50x32	50	32	52	98	35	80	63	30	5006-279
E1-50x40	50	40	60	98	35	90	73	30	5006-280
E1-50x50	50	50	70	98	35	100	83	30	5006-281