



Radial Static Holders

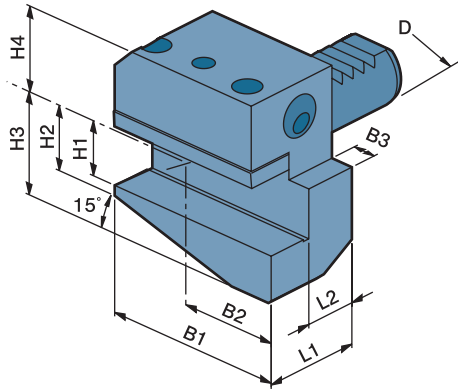


B1 B2 TYPE

DIN 69880

B1

- Short
- External Coolant Supply
- Right-hand

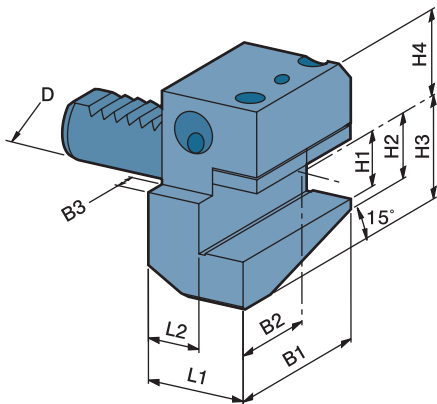


DIMENSIONS

ORDER NO.	D	B1	B2	B3	H1	H2	H3	H4	L1	L2	CODE NO.
B1-20x16	20	55	30	7	16	19	30	25	30	16	5006-180
B1-30x20	30	70	35	10	20	26	38	28	40	22	5006-181
B1-40x25	40	85	42.5	12.5	25	35	48	32.5	44	22	5006-182
B1-50x32	50	100	50	16	32	42	60	35	55	30	5006-183
B1-60x32	60	125	62.5	16	32	46	62.5	42.5	60	30	5006-184

B2

- Left-hand
- External Coolant Supply
- Short



DIMENSIONS

ORDER NO.	D	B1	B2	B3	H1	H2	H3	H4	L1	L2	CODE NO.
B2-20x16	20	55	30	7	16	19	30	25	30	16	5006-185
B2-30x20	30	70	35	10	20	26	38	28	40	22	5006-186
B2-40x25	40	85	42.5	12.5	25	35	48	32.5	44	22	5006-187
B2-50x32	50	100	50	16	32	42	60	35	55	30	5006-188
B2-60x32	60	125	62.5	16	32	46	62.5	42.5	60	30	5006-189



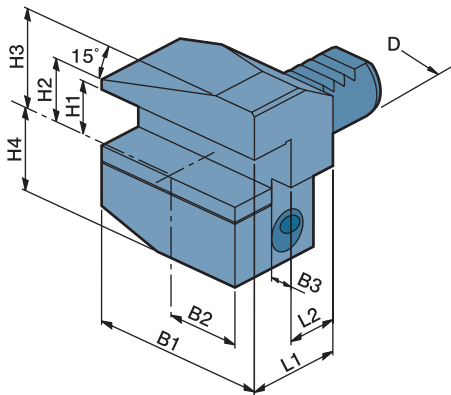
Radial Static Holders

B3 B4 TYPE

DIN 69880

B3

- Short
- External Coolant Supply
- Right-hand

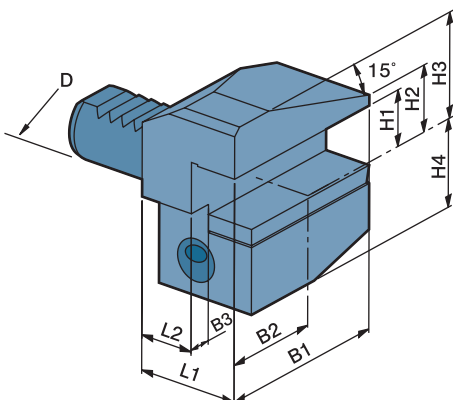


DIMENSIONS

ORDER NO.	D	B1	B2	B3	H1	H2	H3	H4	L1	L2	CODE NO.
B3-20x16	20	55	30	7	16	19	30	25	30	16	5006-190
B3-30x20	30	70	35	10	20	22	38	35	40	22	5006-191
B3-40x25	40	85	42.5	12.5	25	30	48	42.5	44	22	5006-192
B3-50x32	50	100	50	16	32	35	60	50	55	30	5006-193
B3-60x32	60	125	62.5	16	32	42.5	62.5	42.5	60	30	5006-194

B4

- Left-hand
- External Coolant Supply
- Short



DIMENSIONS

ORDER NO.	D	B1	B2	B3	H1	H2	H3	H4	L1	L2	CODE NO.
B4-20x16	20	55	30	7	16	19	30	25	30	16	5006-195
B4-30x20	30	70	35	10	20	22	38	35	40	22	5006-196
B4-40x25	40	85	42.5	12.5	25	30	48	42.5	44	22	5006-197
B4-50x32	50	100	50	16	32	35	60	50	55	30	5006-198
B4-60x32	60	125	62.5	16	32	42.5	62.5	42.5	60	30	5006-199