



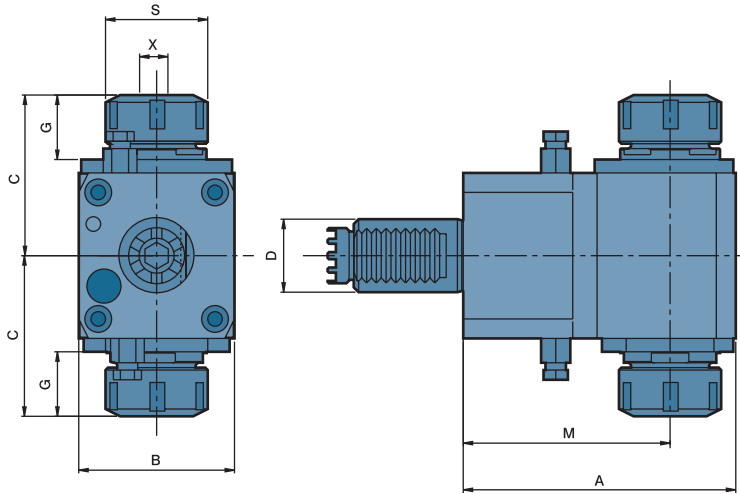
Radial Drilling And Milling Heads



VERTEX®

DOUBLE COLLETS

SPUR COUPLING-IT TYPE



- Collet is not included
- External coolant supply
- To be used for collet DIN 6499

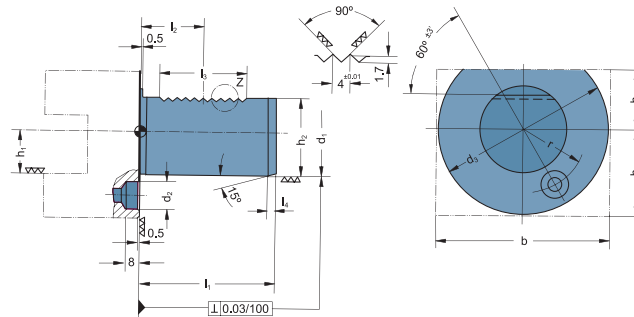
DIMENSIONS

ORDER NO.	D DIN 69880	X Capacity	S	Maximum R.P.M.	i	A	B	C	G	M	CODE NO.
DF30IT2585D	30	1-16 ER25	42	4000	1 : 1	112	64	66	26.5	85	5006-166
DF40IT3285D	40	2-20 ER32	50	4000	1 : 1	119	80	82	28	85	5006-167
DF40IT32100D	40	2-20 ER32	50	4000	1 : 1	134	80	82	28	100	5006-168

Other shank dimensions under development



VDI Dimensional Specification of Shank DIN 69880



DIMENSIONS

d1 h6	l1 ±0.3	d2	d3	h1 max	h2 ±0.1	l2 ±0.05	l3 min	l4 +1	r4 ±0.02	
20	40	10	H6	50	16	18	21.7	24	2	18
30	55	14	H9	68	20	27	29.7	40	2	25
40	63	14	H9	83	25	36	29.7	40	3	32
50	78	16	H9	98	32	45	35.7	48	3	37
60	94	16	H9	123	32	55	43.7	56	4	48

