



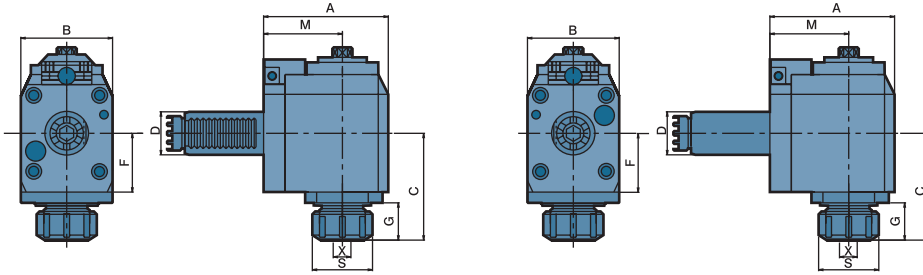
# Radial Drilling And Milling Heads



## SPUR COUPLING-IT TYPE

MODE: FL  
LEFT-HAND

MODE: FR  
RIGHT-HAND



- External coolant supply
- To be used for collet DIN 6499
- Collet is not included

### DIMENSIONS

ORDER NO.	D DIN 69880	X Capacity	S	Maximum R.P.M.	i	A	B	C	F	G	M	CODE NO.
FL30IT2565	30	1-16 ER25	42	5000	1 : 1	97	64	74.5	41	26	65	5006-154
FR30IT2585 FL30IT2585	30	1-16 ER25	42	5000	1 : 1	117	64	74.5	41	26	85	5006-155
FL40IT3265	40	2-20 ER32	50	5000	1 : 1	99	80	71	40	23	65	5006-156
FL40IT32100	40	2-20 ER32	50	5000	1 : 1	134	80	71	40	23	100	5006-158



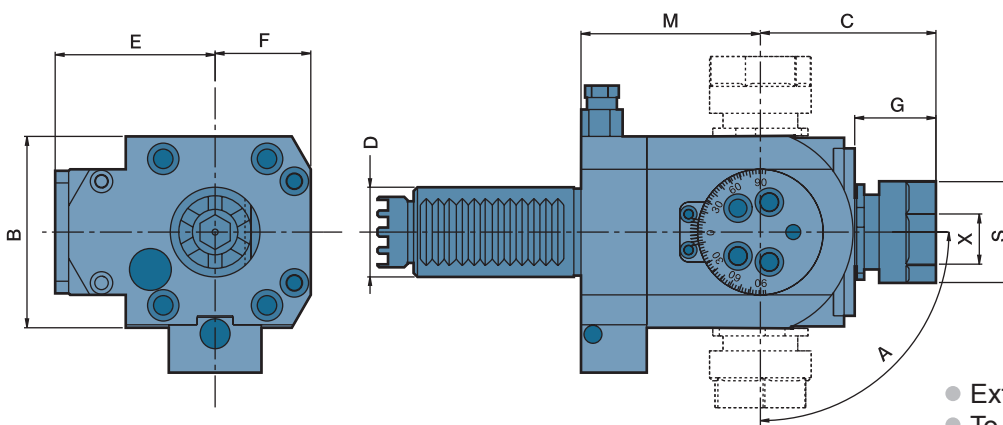
## Radial Tapping Heads

### DIMENSIONS

ORDER NO.	D DIN 69880	X Capacity	S	Maximum R.P.M.	i	A	B	C	F	G	M	CODE NO.
TFR30IT1665 TFL30IT1665	30	1-10 ER16	32	3000	1 : 1	97	64	75	41	30	65	5006-160
TFR30IT1685 TFL30IT1685	30	1-10 ER16	32	3000	1 : 1	117	64	75	41	30	85	5006-161
TFR40IT2065	40	1-13 ER20	35	3000	1 : 1	99	80	70	40	25	65	5006-162
TFR40IT2085 TFL40IT2085	40	1-13 ER20	35	3000	1 : 1	119	80	70	40	25	85	5006-163



## Angular Heads



- External coolant supply
- To be used for collet DIN 6499
- Collet is not included

### DIMENSIONS

ORDER NO.	D DIN 69880	X Capacity	S	Maximum R.P.M.	i	A	B	C	E	F	G	M	CODE NO.
DA30IT20B	30	1-13 ER20	35	4000	1 : 1	±90°	64	59	54	32	27	67	5006-165A

Other shank dimensions under development