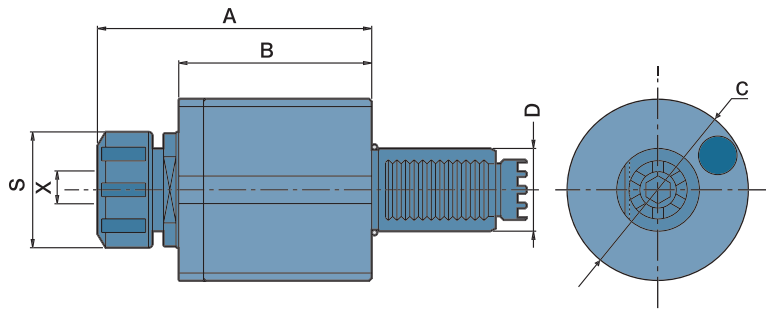
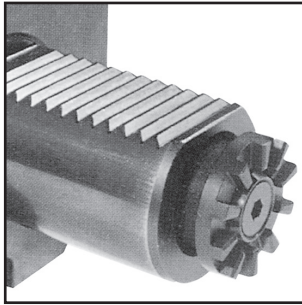




Axial Drilling And Milling Heads- For "Diplomatic" Type



SPUR COUPLING-IT TYPE



- Power Transmission According To "DIPLOMATIC"
- IT: Fron-side Coupling is Elastic Stroke

- External coolant supply
- To be used for collet DIN 6499
- Collet is not included

DIMENSIONS

ORDER NO.	D DIN 69880	X Capacity	S	Maximum R.P.M.	i	A	B	C	CODE NO.
DA30IT25	30	1-16 ER25	42	6000	1 : 1	86	55	68	5006-143

Axial Tapping Heads

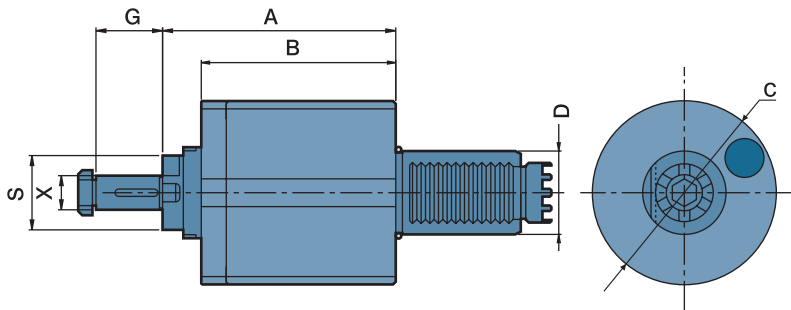
DIMENSIONS

ORDER NO.	D DIN 69880	X Capacity	S	Maximum R.P.M.	i	A	B	C	CODE NO.
TDA30IT16	30	1-10 ER16	30	3000	1 : 1	85	55	68	5006-146
TDA40IT20	40	1-13 ER20	35	3000	1 : 1	102	55	86	5006-147



Axial Milling Heads

SPUR COUPLING-IT TYPE



- To be used for cutter arbor according to DIN 6358
- External coolant and intermediate rings supply

DIMENSIONS

ORDER NO.	D DIN 69880	X DIN 6358	S	Maximum R.P.M.	i	A	B	C	G	CODE NO.
DA30IT16C	30	16	32	3000	1 : 1	91.5	55	68	27	5006-149
DA40IT16C	40	16	32	3000	1 : 1	68.5	55	86	27	5006-150
DA40IT22C	40	22	32	3000	1 : 1	68.5	55	86	31	5006-151