

- To be used for collet DIN 6499
- External coolant supply
- Collet is not included

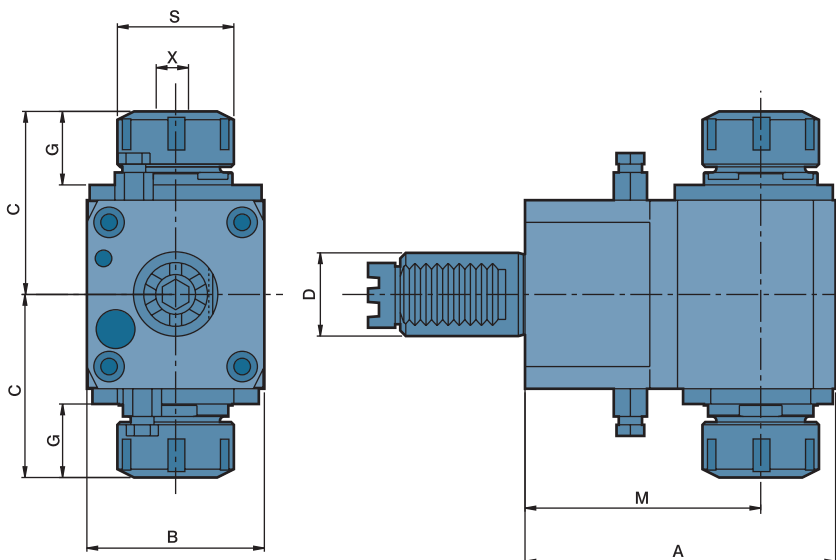
### DIMENSIONS

ORDER NO.	D DIN 69880	X Capacity	S	Maximum R.P.M.	i	A	B	C	E	F	G	M	CODE NO.
DA30MT20B	30	1-13 ER20	35	4000	1 : 1	±90°	64	59	54	32	27	67	5006-139A

# Radial Drilling And Milling Heads

## DOUBLE HEAD TYPE

## SPUR COUPLING-MT TYPE



- To be used for collet DIN 6499
- External coolant supply
- Collet is not included

### DIMENSIONS

ORDER NO.	D DIN 69880	X Capacity	S	Maximum R.P.M.	i	A	B	C	G	M	CODE NO.
DF30MT2585D	30	1-16 ER25	42	4000	1 : 1	112	64	66	27	85	5006-140
DF40MT3285D	40	2-20 ER32	50	4000	1 : 1	119	80	82	28	85	5006-141
DF40MT32100D	40	2-20 ER32	50	4000	1 : 1	134	80	82	28	100	5006-142