



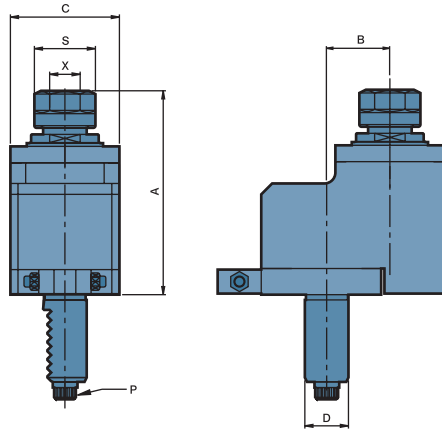
Axial Drilling And Milling Heads-Offset



VERTEX®

OFFSET

DIN 5480



- Collet is not included
- To be used for collet DIN 6499
- External coolant supply

DIMENSIONS

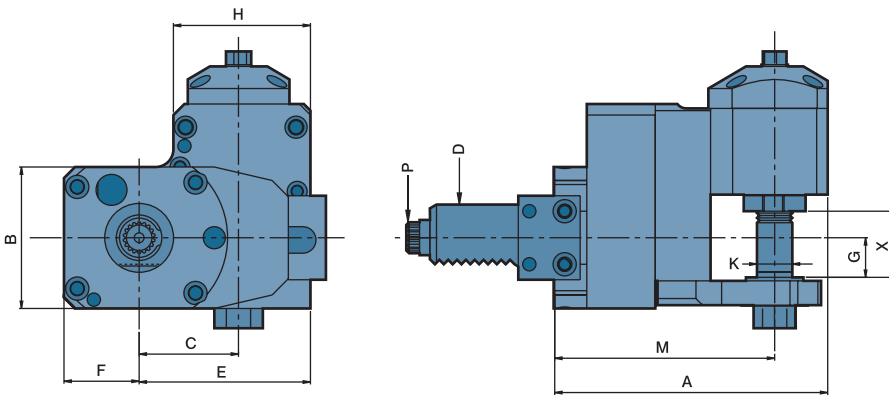
ORDER NO.	D DIN 69880	X Capacity	S	Maximum R.P.M.	i	A	B	C	P DIN 5480	CODE NO.
DA3054802529	30	1-16 ER25	42	4000	1 : 1	100	29	60	W16X0.8	5006-057
DA3054802529/1	※ 30	1-16 ER25	42	8000	1 : 2	100	29	60	W16X0.8	5006-058
DA4054803250	40	2-20 ER32	50	4000	1 : 1	125	65	86	W20X0.8	5006-059



Radial Drilling And Milling Heads

DISK CUTTER UNITS

DIN 5480



- External coolant supply

DIMENSIONS

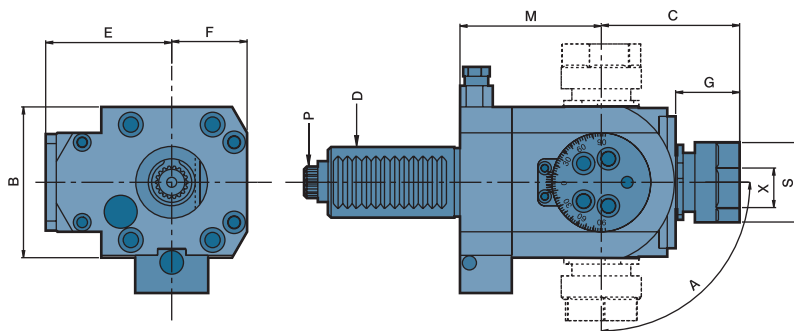
ORDER NO.	D DIN 69880	X Capacity	Maximum R.P.M.	i	A	B	C	E	F	G	H	K	M	P DIN 5480	CODE NO.
BR30548016C/3 BL30548016C/3	30	16	3000	3 : 1	133	64	45	77.5	49	5	65	16	108.5	W16X0.8	5006-060



Angular Heads

ANGLE IS ADJUSTED

DIN 5480



- Collet is not included
- To be used for collet DIN 6499
- External coolant supply

DIMENSIONS

ORDER NO.	D DIN 69880	X Capacity	S	Maximum R.P.M.	i	A	B	C	E	F	G	M	P DIN 5480	CODE NO.
DA30548020B	30	1-13 ER20	35	4000	1 : 1	±90°	64	59	54	32	27	67	W16X0.8	5006-061A