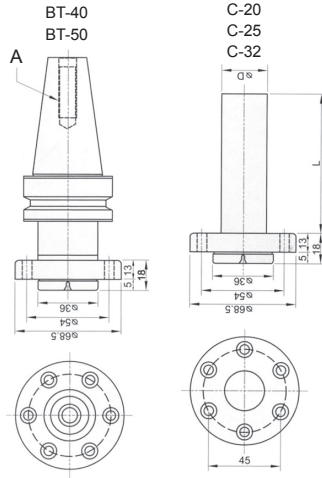
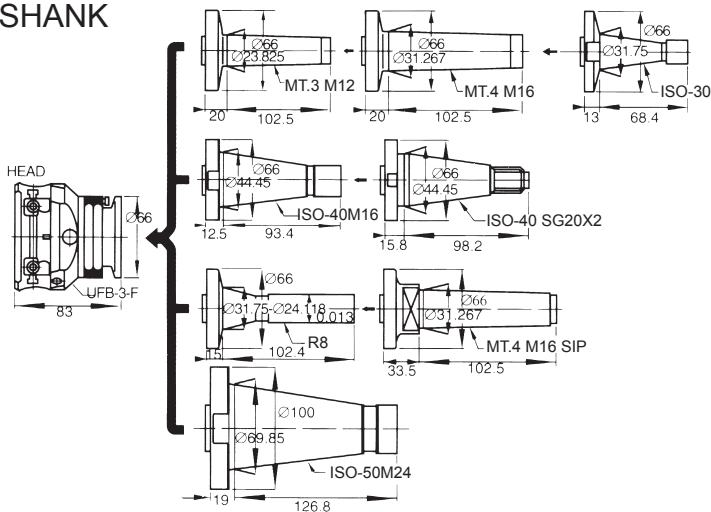
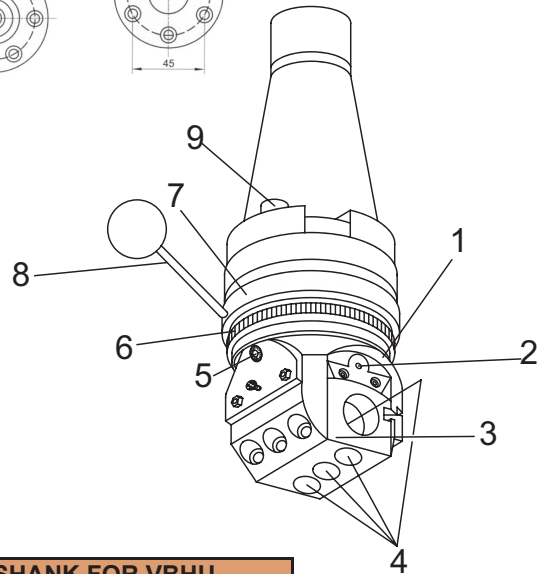


## SHANK



SHANK CHANGEABLE



Main part of the universal boring heads is the body(1), in which the tool slide (3) moves on dovetail guideways. The tool slide is provided with holes for accommodation of tools and tool holders(4). In boring holes or turning external cylindrical surfaces, the tool is adjusted with the aid of the graduated dial for fine setting of tool slide(5), one division of which means a change in diameter of bored hole by .0005".

On the types rapid adjustment of the tool slide(3) can be produced by rotating the graduated dial for quick adjustment of the tool slide(2).

During recessing, turning of front or rear facings or similar jobs calling for automatic transverse feed movement to the tool slide, the preselected feed movement to the tool slide is engaged with the aid of the engagement ring (6). After setting of tool, the automatic transverse feed movement to the tool slide is started by braking of the brake ring(7), by means of the handle(8).

The clutch(9) provides for tripping of the automatic feed movement when cutting resistance increases or when the trip dog is approached.

Mechanism of the boring heads has a lubrication circuit delivering oil from two lubricators to all friction surfaces.

All parts are hardened and working surfaces are ground.

SHANK FOR VBHU-		
MT-3	MT-4	MT-5
NT-30	NT-40	NT-50
R-8		
C-20	C25	C-32
BT-40		BT-50
	SK-40	SK-50

